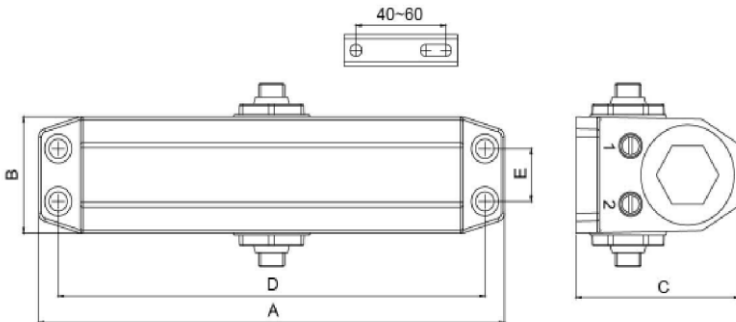


REF. 200



- STANDARD:** EN1634
- ARM:** ADJUSTABLE
- VALVE:** TWO SPEED CONTROL VALVE
- CLOSING SPEED:** ADJUSTABLE, SMOTH FUNCTION
- LACHING SPEED:** ADJUSTABLE, SMOTH FUNCTION
- COLORES:** SILVER, GOLD, BROWN, BRONZE, WHITE, BLACK
- ALUMINIUM EXTRUDED BODY**
- POWER SIZE** EN 2/3

65 KG

- DOOR WEIGHT:** 40-65 KG
- DOOR WIDTH:** 830-950 CM

A	B	C	D	E	DOOR WEIGHT	DOOR WIDTH
177 MM	40 MM	62,50 MM	162 MM	19 MM	40 - 65 KG	830 - 950 MM

120 KG

- DOOR WEIGHT:** 80-120 KG
- DOOR WIDTH:** 1030-1250 CM

A	B	C	D	E	DOOR WEIGHT	DOOR WIDTH
247 MM	45 MM	70 MM	230 MM	19 MM	80 - 120 KG	1130 - 1400 MM

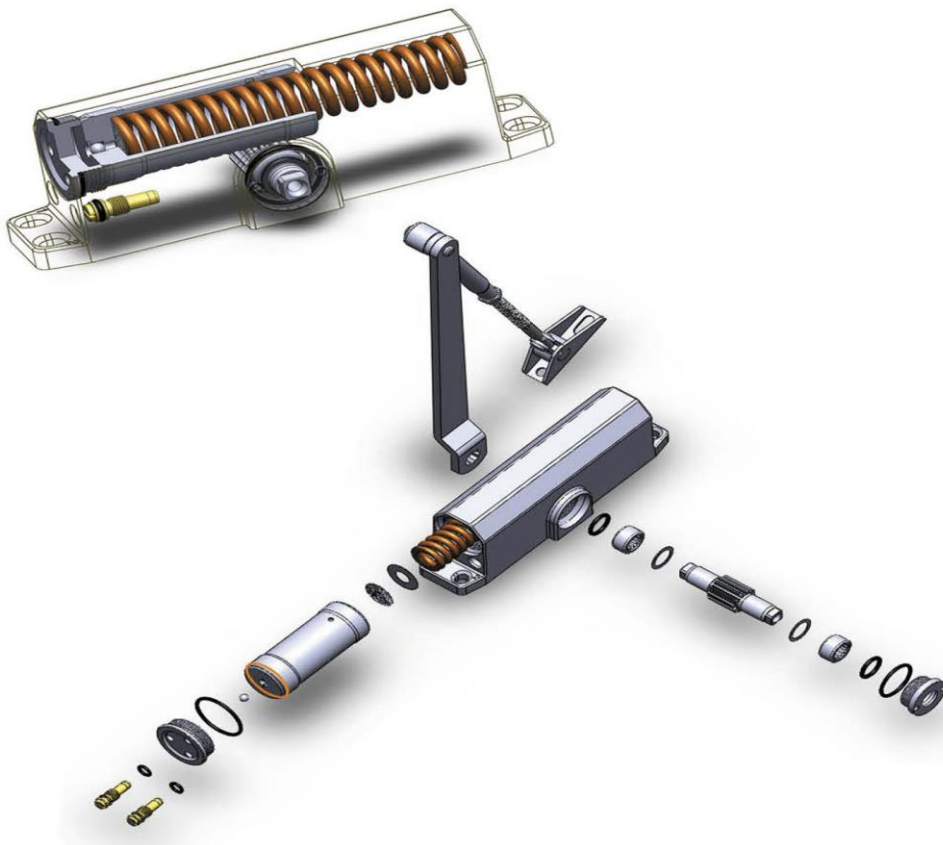
150 KG

- DOOR WEIGHT:** 100-150 KG
- DOOR WIDTH:** 1030-1250 CM

A	B	C	D	E	DOOR WEIGHT	DOOR WIDTH
247 MM	45 MM	70 MM	230 MM	19 MM	100 - 150 KG	1130 - 1400 MM



Product Configuration



irona@irona.es



+34 639382238

www.irona.es