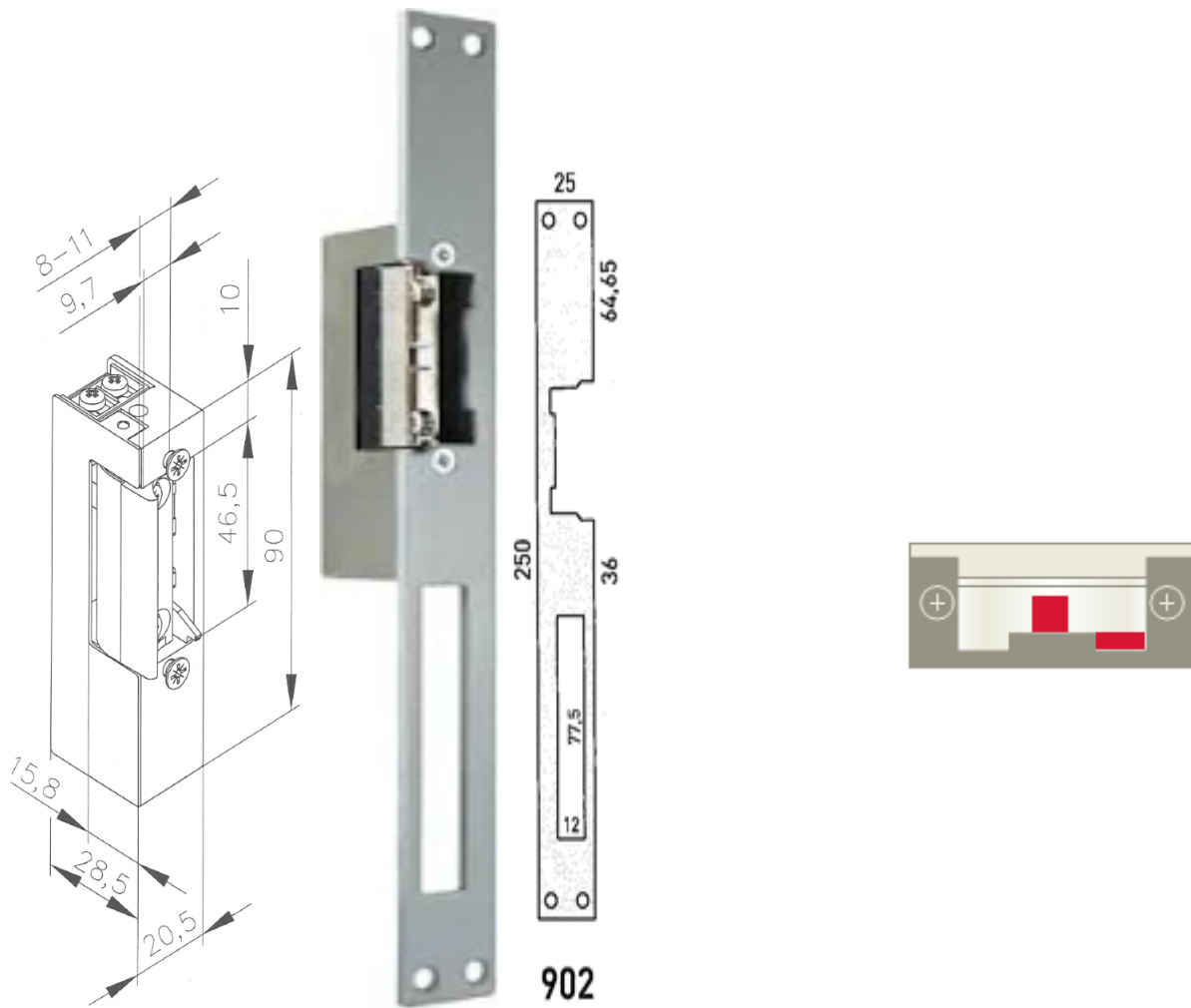




REF. 842

Electrical data

Voltage	12V AC / 12V DC
Rated resistance	10,00 Ω
Current consumption 12VAC	0,85 Amp
Tolerance	$\pm 15\%$





Technical data.

Height	90,0 mm
Depth	28,5 mm
Width	20,5 mm
Adjustable latch	4 mm
DIN	Reversible

Released and ready for opening
only once on electric pulse.
Manual releasing lever.

FRONT PLATES

Finishing

G	Grey iron
X	Stainles Steel
