

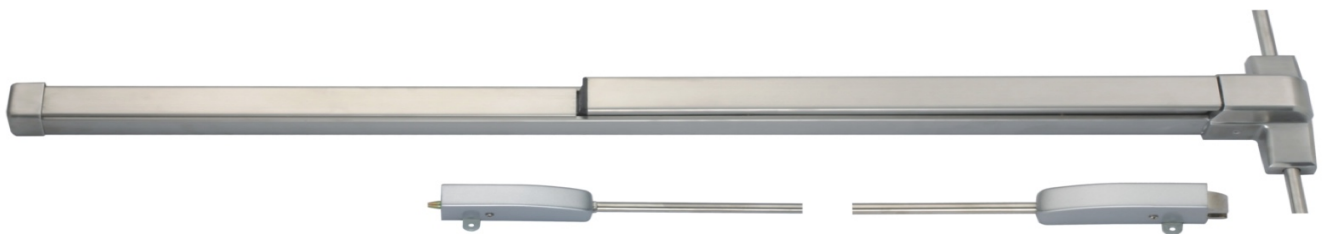


irona@irona.es

-

+34639382238

Panic Exit Device



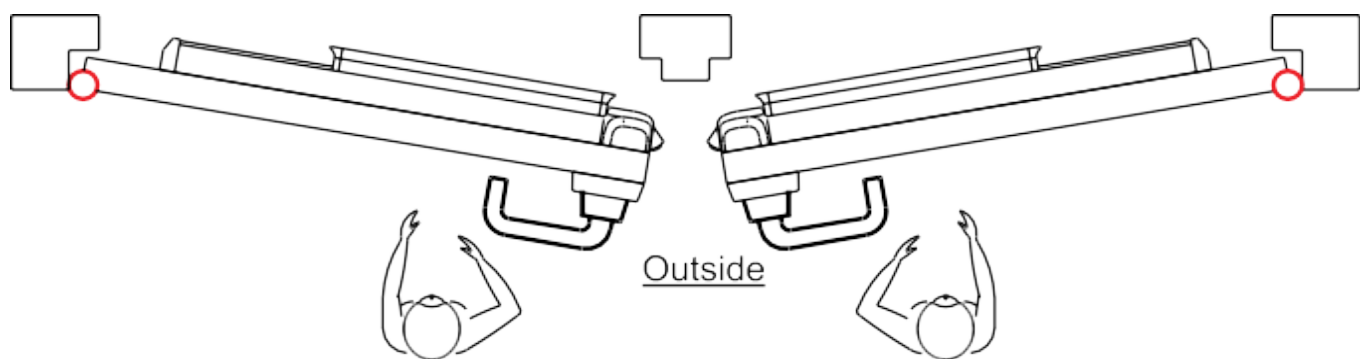
Material

S: Stainless steel 304

P: Steel

A: Aluminum

L: Plastic



LHR

RHR

Handing

-LHR: Left hand reverse

-RHR: Right hand reverse



Certified CE and UL



- 1- Non handed
- 2- Material: Stainless steel
- 3- Finish: Stainless steel

Half-length touch bar. One point
Panic device rim type Ref. 210
Ref. F500V/200 = Ref. 205 + Ref. 210 + Ref. 198



PANIC DEVICE DOUBLE DOORS REF. **210**



REF. **198**



REF. **205**

