

Ref. 202

304 Stainless steel
Without Cylinder
NO Lock function

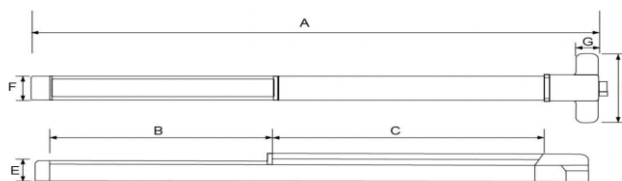


HIGH QUALITY PANIC



Vertical type RIM PANIC bar device

Installation Diagram



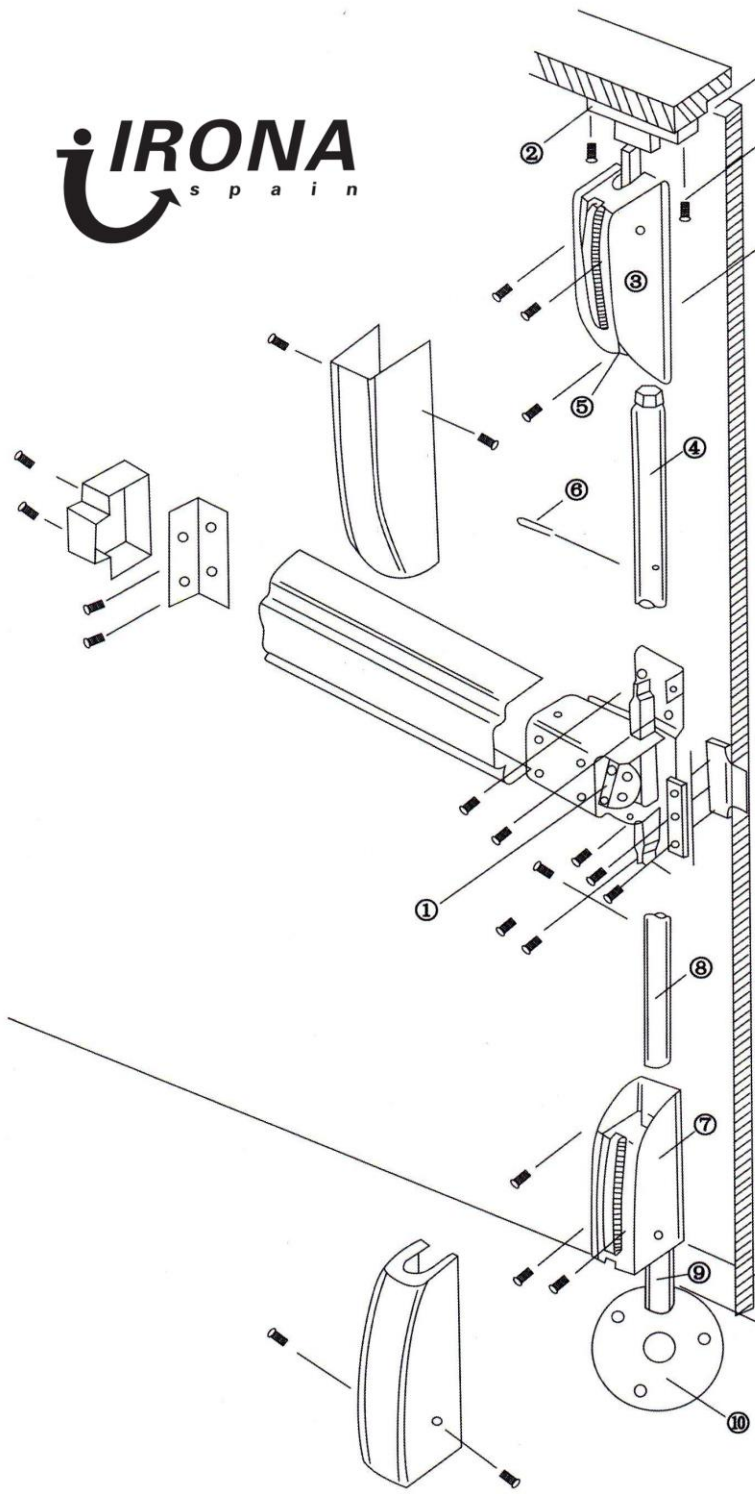
Sizes:

80 CM
100 CM

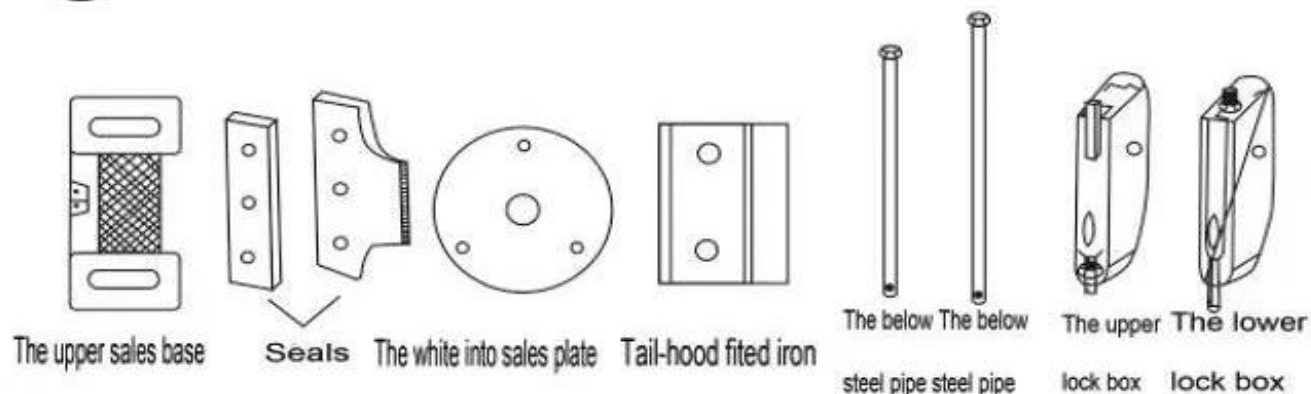


A	B	C	D	E	F	G
650	235	300	155	50	50	42
800	285	400	155	50	50	42
1050	425	500	155	50	50	42

VERTICAL ROD PANIC & EXIT DEVICES INSTALLTION INSTRUCTION



- 23/32"
- 7/16"
1. To fix size and place of screw hole for lock body. Install the body on the surface of door, The distance between center of lock body & the bottom of door is 1000 mm. The length of body decided by the width of door.
 2. After install the lock body, the head of lock to the facet of door is 42mm, Notice screw must be lie on the upper side of the body. It must be discharged if it is at the down side, and then fixed at the upper side. After operating the screw must be firmed again.
 3. top strike must be plumb to the center line of lock body, and installed at the upper doorframe. The inner facet of top strike to the lever of the door about 3.5mm after the door closed.
 4. After top rod and ④ of the top latch adjusted screw bar and connected together. The other side use ⑤ to connect of the lock body, it can test the function of the function of the top latch bolt. The rod can use flex of screw bar adjust the appropriate function. After confirmed the function then bend.
 5. ⑥ bottom latch installed at the bottom of door.
 - ⑦ bottom rod also use the connection function of the ⑧ can wedge into the hole of floor directly, and then adjust the appropriate function. At last bend.
 6. After installation, the hole of bottom rod can use ⑨ floor keeper fix at floor.
 7. Push the body can open & close the door. After open the door, the bottom rod will hook onto upper section automatically.
 8. The length of top rod is 920mm. The length of bottom rod is 850mm.
 9. The appropriate range for the height of door is 2100-2120.
 10. The length of the top latch need to be ordered if the height of door is not in this range.



VERTICAL ROD PANIC & EXCIT DEVICES

The method of adjusting left and right

<p>It is the left hand, originally</p>	<p>If the right hand needed, please loose the two screws, according of the figure 2, take down screw A and spring B</p>
<p>1</p>	<p>2</p>
<p>Please exchange the position of acrew A and Spring B, then lock, according to the figure 3, applied the two screws</p>	<p>Figure 4 is the complete picture for crossbar on the right band</p>
<p>3</p>	<p>4</p>