



INDUSTRIES



## **& OUR VALUES OBJECTIVES**

- Embracing an Entrepreneurial Spirit to Enhance Efficiency, Speed, and Flexibility
- Fostering Customer Satisfaction Through Active Listening and Engagement
- Driving Value Creation for Sustainable and Profitable Growth
- Championing Innovation and Adaptability in a Global Market
- Cultivating a Committed Team Dedicated to Human and Environmental Respect

## **& VALORES OBJETIVOS**

- Adoptar un espíritu emprendedor para mejorar la eficiencia, la rapidez y la flexibilidad
- Fomentar la satisfacción del cliente mediante la escucha activa y la participación
- Impulsar la creación de valor para un crecimiento sostenible y rentable
- Defender la innovación y la adaptabilidad en un mercado global
- Cultivar un equipo comprometido, dedicado al respeto humano y ambiental





**SAFETY FOOTWEAR**  
**CALZADO DE SEGURIDAD**



**GLOVES**  
**GUANTES**



**EAR MUFF**  
**OREJERAS**



**FACE SHIELD**  
**PANTALLA FACIAL**



**SAFETY GLASSES**  
**GAFAS DE PROTECCION**



**FFP1**  
**FFP2**  
**FFP3**

**OUR**  
**ACTIVITY**





FALL PROTECTION  
TRABAJO EN ALTURA



MASKS  
MASCARILLAS



WELDING SHIELD  
PANTALLAS SOLDAR



TRIPOD  
TRIPODE



EMERGENCY SHOWER  
DUCHAS DE EMERGENCIA



LOCK OUT TAG OUT  
BLOQUEADO Y ETIQUETADO

OUR  
ACTIVITY





# RESPIRATORY PROTECTION

**RESPIRATORY PROTECTION PREVENTS INHALATION OF HARMFUL DUST, FUMES, AND AIRBORNE PARTICLES.**

**IT REDUCES THE RISK OF LONG-TERM LUNG DISEASES AND RESPIRATORY INFECTIONS.**

**MASKS AND RESPIRATORS PROVIDE A SAFER BREATHING ENVIRONMENT IN HAZARDOUS WORKPLACES.**

**USING RESPIRATORY PROTECTION ENSURES COMPLIANCE WITH OCCUPATIONAL HEALTH AND SAFETY STANDARDS.**





FULL FACE MASK  
SILICONE  
CLASS 2  
FOR GENERAL USE  
WITHOUT FILTERS

EN 136:1998

Ref. : 450

**DESIGN AND CONSTRUCTION:**

Standard thread connection Rd40 x 1/7" as per EN 148

Standard bayonet connection for double filtering device as per EN 136

BODY: PC + SILICONE

CAP: ABS + PC

BUCKEL: STAINLESS STEEL

UPON USING THE SPECIFIED DOUBLE FILTERS, ALLOWS GASES AND  
VAPOURS OR PARTICLES ARE REMOVED FROM THE AMBIENT AIR WHILE  
BREATHE NORMALLY

400 g. - 223x188x128 mm

1/BOX - 8/CARTON



Standard thread connection Rd40 x 1/7" as per EN 148



Standard bayonet connection for double filtering device as per EN 136





Ref. : 475



**BODY: SILICONE - CAP: ABS - BUCKEL: PP - PE**  
**UPON USING THE SPECIFIED DOUBLE FILTERS, ALLOWS GASES AND VAPOURS OR PARTICLES ARE REMOVED**  
**FROM THE AMBIENT AIR WHILE BREATHE NORMALLY**

**130 G.**  
**1/BOX - 50/CARTON**

**EN 136:1998**





**Ref. : 455**

**A2B2E2K2P3 COMBINED FILTER**

**ABS**

**310 G.**

**EN 14387:2021**

**1 FILTER/BOX**

**25 FILTERS/CARTON**

Type	Test gas	Class	Concentration	Breakthrough	Min.duration
A	Cyclohexane (C <sub>6</sub> H <sub>12</sub> )	2	5,000 ppm	10 ppm	35 min
B	Chlorine (Cl <sub>2</sub> )	2	5,000 ppm	0.5 ppm	20 min
	Hydrogen Sulphide (H <sub>2</sub> S)	2	5,000 ppm	10 ppm	40 min
	Hydrogen Cyanide (HCN)	2	5,000 ppm	10 ppm	25 min
E	Sulphur Dioxide (SO <sub>2</sub> )	2	5,000 ppm	5 ppm	20 min
K	Ammonia (NH <sub>3</sub> )	2	5,000 ppm	25 ppm	40 min





**Ref. : 480**



**P2 FILTER**

**SPUN BOUND FABRIC, THROUGH-AIR**

**NON-WOVEN FABRIC,**

**MELTBLOWN FILTER MEDIA**

**EN 143:2021**

**20 FILTERS/BOX**

**1000 FILTERS/CARTON**

**A1 FILTER - BAYONET**

**ABS**

**EN 14387:2004+A1:2008**

**2 FILTERS/BAG**

**100 FILTERS/CARTON**



**Ref. : 481**

**A1B1E1K1 FILTER - BAYONET**

**ABS**

**EN 14387:2004+A1:2008**

**2 FILTERS/BAG**

**100 FILTERS/CARTON**



**Ref. : 482**

**A1B1E1K1P3 COMBINED FILTER**

**ABS**

**EN 14387:2004+A1:2008**

**2 FILTER/BAG**

**50 FILTERS/CARTON**



**Ref. : 483**





## FFP2 WITH VALVE

Ref. : 420



**4-plys, PP spunbond outer layer  
PP meltblown high filtration layer,  
PP needle-punched  
nonwoven inner layer**

*THE PARTICULATE RESPIRATOR IS DESIGNED TO PROTECT AGAINST  
SOLID AND NON VOLATIL LIQUID PARTICLES ONLY.  
THE MODEL IS MOULDED CUP SHAPE DESING, SINGLE SHIFT DEVICES,  
NR SYMBOL CLASSIFICATION*

**15/Box - 300/Carton**

**EN149:2001+A1:2009 FFP2 NR**



# FALL PROTECTION

- Fall protection equipment prevents serious injuries from slips, trips, and falls at height.
- Harnesses, lanyards, and lifelines provide secure support in elevated work areas.
- Using fall protection reduces the risk of fatalities in construction and industrial environments.
- Proper fall protection ensures compliance with workplace safety regulations and standards

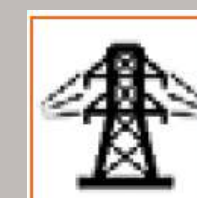


Ref. : 515



Size	Legs	Waist	Height	Max Load	CE
	cm	cm	cm		EN361
UNI SIZE	45-65	/	170-185	100kg	✓

- 1 FULL BODY HARNESS WITH FALL ARREST ATTACHMENT POINT AND 1 STEEL D-RING ON THE BACK ACCORDING TO EN361.
- FULL BODY HARNESS WITH 5 ADJUSTABLE BUCKLES.
- PADDING BACK AND SHOULDERS
- CAT III
- 10/BOX



Tower Work



Construction



Confine Space



Roof Work

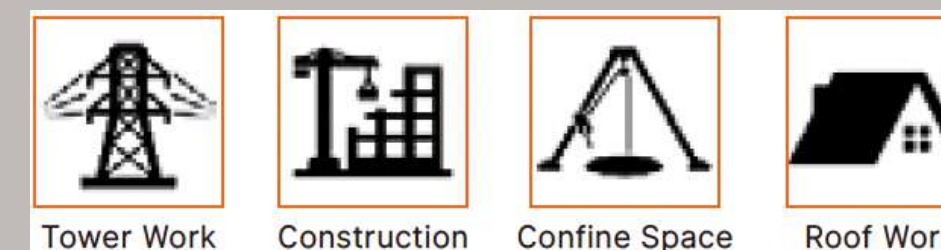


Ref. : 520



Size	Legs	Waist	Height	Max Load	CE
	cm	cm	cm		EN361
UNI SIZE	45-65	/	170-185	100kg	✓

- **FULL BODY HARNESS WITH FALL ARREST ATTACHMENT POINT, 1 STEEL D-RING ON THE BACK ACCORDING TO EN361.**
- **2 STEEL D-RING ON THE SIDE ACCORDING TO EN358.**
- **CAT III**
- **10/BOX**



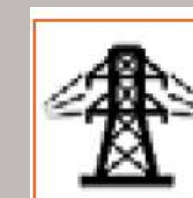
Ref. : 525



Size	Legs	Waist	Height	Max Load	CE		
	cm	cm	cm		EN 358	EN 361	EN 813
M-L	45-65	70-110	170-185	140kg	✓	✓	✓
XL-XXL	60-75	80-130	180-195		✓	✓	✓

- FULL BODY HARNESS WITH 2 FALL ARREST POINTS, 2 STEEL D-RINGS ON THE CHEST AND BACK, 2 STEEL D-RINGS ON THE SIDES AND 1 STEEL D-RING ON THE ABDOMEN, VENTRAL SUSPENSION ANCHOR POINT
- FULL BODY HARNESS WITH 9 ADJUSTABLE BUCKLES; 1 ALUMINUM ALLOY SAFETY HOOK ON THE ABDOMEN, BREAKING STRENGTH >25KN;
- ULTRA-COMFORTABLE LUMBAR, SHOULDER AND LEG PADS, ALL OF WHICH ARE CRAFTED WITH BREATHABLE HOLES TO ENHANCE COMFORT WHILE HANGING;
- 4 POLYESTER BELT TOOL LOOPS, MAXIMUM LOAD CAPACITY OF 2KG PER LOOP;
- ABDOMINAL HANGING POINTS FOR ASCENDING AND DESCENDING OPERATIONS AND RESCUE;
- LEFT SHOULDER STRAP AND LEG STRAPS ARE MADE OF STEEL QUICK-INSERT STRUCTURE, EASY AND QUICK TO WEAR.

CAT III  
5/BOX



Tower Work



Wind Power



Rope Access



Height Rescue





Ref. : 530



Rope Material	Rope Dia	Rope Length	Breaking strength	Max load	Hook	lock	CE	
							EN 355	EN 362
Polyamide	11mm	1.8m	23kN	100kg	X05	R05	✓	✓

**ENERGY ABSORBER WITH WEBBING LANYARD**

- THE BUFFER BAG IS MADE OF POLYESTER WEBBING WITH A WIDTH OF 44 MM AND TEAR FLAT TAPE;
- MADE OF HIGHLY RESISTANT 45MM POLYESTER WEBBING TO SHORTEN THE NATURAL LENGTH OF THE SAFETY ROPE AND PREVENT ENTANGLEMENT DURING CLIMBING;
- WITH 1 SCREW LOCK CARABINER, IRONA REF 548.
- WITH 55MM GATE OPEN STEEL HOOK, IRONA REF. 549.
- THE OUTER MATERIAL OF THE BUFFER BAG IS MADE OF STRONG WEAR-RESISTANT PE MATERIAL, VISUAL MANAGEMENT, EASY TO CHECK THE USE OF ENERGY ABSORBER SAFELY. CAT III

10/BOX



Ref. : 548



Ref. : 549



**Ref. : 535**



**WORK POSITIONING SAFETY BELT**

**2 POSITIONING FOLDING LATERAL RINGS**

**ONE BUCKLE ON THE WAIST ; WITH WASIT PADDING ;  
TWO D RINGS ,  
ONE POLYESTER ROPES WITH CARABINER**

**THE SAFETY BELT WITH HOOK IS DESIGNED  
TO PROVIDE RELIABLE FALL PROTECTION  
AND SECURE ANCHORING DURING WORK  
AT HEIGHTS. IT ENSURES WORKER SAFETY  
IN CONSTRUCTION, MAINTENANCE, AND I  
NDUSTRIAL ENVIRONMENTS**



**10/BOX**



Ref. : 590



6 m



10 m

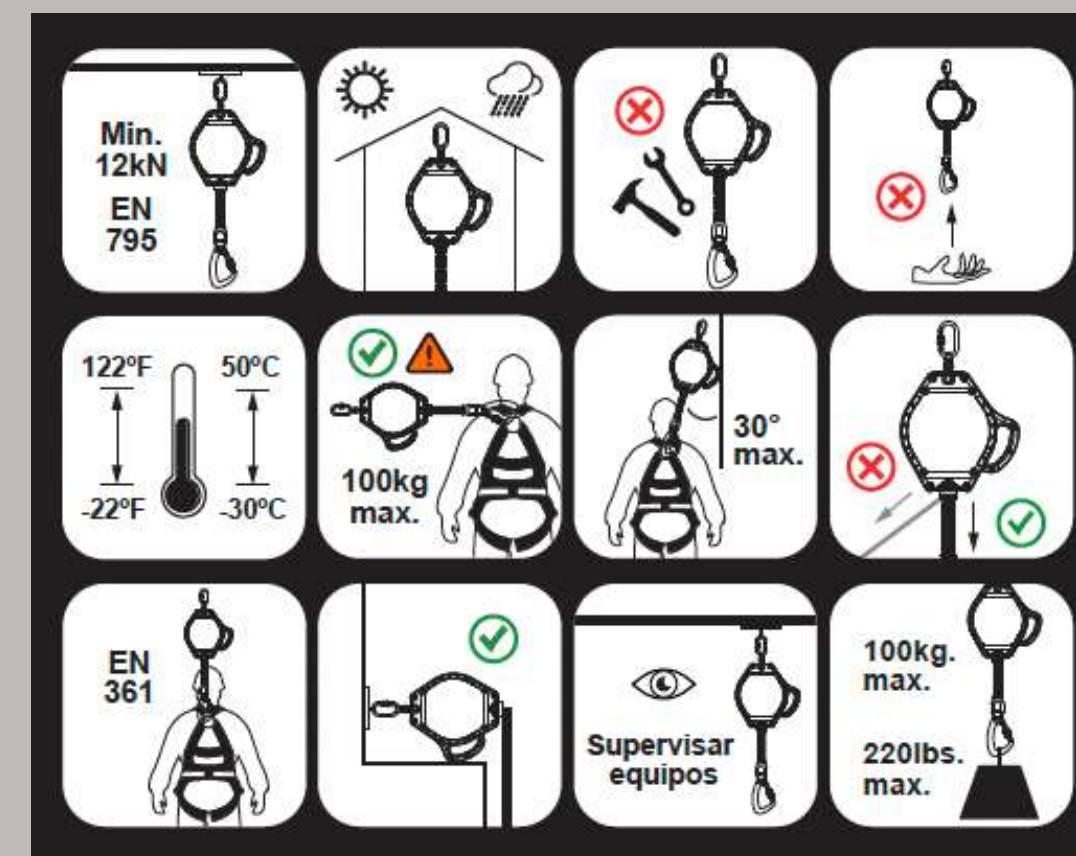


15 m



20 m

CAT III



**CE 2834 EN360:2002**



1 Anchor point  
Steel head

20 m



Ref. : 595

**IRONA**  
s p a i n  
irona@irona.es

**Rescue Winch**

Item Code: 595  
Material: ST  
Length: 30m  
Strength: 12kN  
Steel Wire Dia: 4.8mm  
Max Load: 150kg  
Weight: 10635g  
Serial No:  
Mfg.MMY:

**CE2834**  
EN1496:2017

**SELF LOCKING BRAKE**

3 Anchor points  
Aluminium head

30 m



**Tripod**

**CE2834**

Item Code: 595  
Length: 30m  
Max Load: 500kg  
Height: 1.15 to 2.15m  
Weight: 25195g  
Serial No:  
Mfg.MM/Y

Max number of user  
permitted simultaneously  
2 person

**STRENGTH**  
MIN. 12kN

EN 795:2012 Type B

**WARNING**  
PLEASE READ THE  
INSTRUCTIONS CAREFULLY  
BEFORE USING  
THE PRODUCT



ATTCH THE  
WINCH HERE



# Safety Shoes

Foot protection is any piece of personal protective equipment protecting one's foot from any injury while at work or during movement.





**Ref. : 300**

EMBOSSED COW LEATHER AND IRONLITE ANKLE BOOT S3  
PU/PU  
BLACK/BLUE  
S3, ANIT-STATIC, ENERGERY ABSORPTION OF SEAT REGION  
ANTI-PENETRATION, WATER RESISTANT  
BETTER SLIP RESISTANCE  
200J STEEL TOECAP  
STEEL MIDSOLE  
EVA + BLUE NYLON MESH

10/BOX

**EN ISO 20345:2022 + A1:2024 S3**





**Ref. : 315**

*LIGHTWEIGHT TRAINER - MICROFIBER TPU*

*PU/PU*

*BLACK/GREEN*

*S1P, ANIT-STATIC, ENERGY ABSORPTION OF SEAT REGION*

*ANTI-PENETRATION*

*BETTER SLIP RESISTANCE*

*EVA + BLACK NYLON MESH*

**COMPOSITE TOECAP**

**KEVLAR MIDSOLE**

10/BOX

**EN ISO 20345:2022 S1P**





**Ref. : 315**

ANCKL LIGHTWEIGHT TRAINER - MICROFIBER TPU  
PU/PU  
BLACK/GREEN  
S1P, ANIT-STATIC, ENERGY ABSORPTION OF SEAT REGION  
ANTI-PENETRATION  
BETTER SLIP RESISTANCE  
EVA + BLACK NYLON MESH

COMPOSITE TOECAP  
KEVLAR MIDSOLE

10/BOX

EN ISO 20345:2022 S1P





Ref. : 320



Ref. : 335



Ref. : 325



Ref. : 340



Ref. : 330



Ref. : 345



**SOON**  
*Available*



# Gloves

Protect the user's hands and fingers from hazards, ranging from irritation from chemical exposure to cuts and punctures from sharp objects.





### Ref. : 100

SPLIT LEATHER RIGGER GLOVE  
REINFORCED  
EN 388:2016  
SIZE 10,50"  
120 PAIRS/BOX



### Ref. : 105

DRIVER LEATHER GLOVE  
EN 388:2016  
SIZE 10"  
120 PAIRS/BOX



### Ref. : 110

WELDING GLOVE  
EN 388:2016  
35 CM - 14"  
SIZE 10"  
60 PAIRS/BOX





## Ref. : 115

**NITRILE FOAM GLOVE**  
EN 388:2016  
GAUGE: 15 GG  
SIZE 10"  
120 PAIRS/BOX



## Ref. : 120

**NITRILE/POLYESTER GLOVE**  
GAUGE: 13 GG  
EN 388:2016  
SIZE: 10"  
120 PAIRS/BOX



## Ref. : 130

**PU/POLYESTER GLOVE**  
GAUGE: 13 GG  
EN 388:2016  
SIZE: 7,8",9",10"  
120 PAIRS/BOX





### Ref. : 130 C

**NYLON/CARBON LINER GLOVE**  
PU FINGERS  
GAUGE: 13 GG  
EN 388:2016  
SIZE: ", 10"  
120 PAIRS/BOX



### Ref. : 135

**HPPE/FIBERGLASS**  
ANTICUT D (5)  
EN 388:2016  
GAUGE: 13 GG  
SIZE 10"  
120 PAIRS/BOX



### Ref. : 135 S

**HPPE/STEEL/POLYESTER SLEEVE**  
WITH THUMB  
ANTICUT D (5)  
GAUGE: 13 GG  
50 CM  
120 PAIRS/BOX



**Ref. : 145**

POLYCOTTON/CRINKLE LATEX  
GAUGE: 13 GG  
YARN: 5  
EN 388:2016  
SIZE: 10"  
120 PAIRS/BOX



**Ref. : 150**

STAINLESS STEEL RINGS  
REVERSIBLE  
MESH BUTCHER GLOVE  
AISI: 316  
EN 388:2016  
SIZE: S, M, L - 1 PCS/BOX



**Ref. : 155**

STAINLESS STEEL WIRE GLOVE  
WHITE LINER GLOVE  
AISI: 316  
EN 388:2016  
GAUGE: 13 GG  
SIZE 10"  
1 PCS/BAG





**Ref. : 151**

STAINLESS STEEL RINGS  
MESH BUTCHER GLOVE  
AISI: **316**  
EN 388:2016  
SIZE: S, M, L  
1 PCS/BOX



**Ref. : 152**

STAINLESS STEEL RINGS  
MESH BUTCHER GLOVE  
AISI: **316**  
EN 388:2016  
SIZE: S, M, L  
1 PCS/BOX



**Ref. : 153**

STAINLESS STEEL RINGS - **46CM**  
MESH BUTCHER GLOVE  
AISI: **316**  
EN 388:2016  
SIZE: S, M, L  
1 PCS/BOX





**Ref. : 154**

**STAINLESS STEEL APRON**

**60X80CM**

**MESH**

**AISI: 316**

**EN 388:2016**

**SIZE: S, M, L**

**1 PCS/BOX**





**PVC DOUBLE DIPPED  
POLY-COTTON JERSY  
SANDY PALM  
10" - 40 CM  
72 PAIRS/BOX**

**Ref. : 160**

**Ref. : 162**



**PVC  
POLY-COTTON JERSY  
SMOTH PALM  
10" - 40 CM  
72 PAIRS/BOX**





**Ref. : 161**

**PVC DOUBLE DIPPED BLUE  
COTTON JERSY  
SANDY PALM - GUANTLET CUFF  
10" - 35 CM  
72 PAIRS/BOX**

**PVC TRIPLE DIPPED BLUE  
COTTON JERSY  
SANDY PALM  
ANTI BACTERIA & ODOR TREATMENT  
10" - 62 CM  
72 PAIRS/BOX**

**Ref. : 161 S**





**Ref. : 163**

**HCC TRIPLE COATED  
15G NAYLON LINED - SEAMLESS  
SANDY PALM - GUANTLET CUFF  
10" - 30 CM  
72 PAIRS/BOX**

**Ref. : 164**



# Face and eye protection

- Safety glasses and visors protect your eyes from dust, debris, and harmful particles.
- They reduce the risk of serious eye injuries in hazardous work environments.
- Protective eyewear blocks harmful UV and infrared radiation during specific tasks.
- Wearing it ensures compliance with workplace safety regulations and standards





**Ref. : 200**

SAFETY GLASSES  
HIGH-IMPACT POLYCARBONATE  
CLEAR, SMOKE, YELLOW  
EN 166 – EN 170  
240/BOX



**Ref. : 205**

SAFETY GLASSES  
HIGH-IMPACT POLYCARBONATE  
CLEAR  
EN 166  
240/BOX



**Ref. : 210**

SAFETY GLASSES  
HIGH-IMPACT POLYCARBONATE  
CLEAR, SMOKE, YELLOW  
EN 166 – EN 170  
240/BOX





**Ref. : 215**

SAFETY GLASSES  
HIGH-IMPACT POLYCARBONATE  
CLEAR  
PADDED ENDS TEMPLES FOR  
COMFORT  
EN 166  
240/BOX



**Ref. : 220**

SAFETY GLASSES, ANTI SCRATCH  
HIGH-IMPACT POLYCARBONATE  
CLEAR  
PADDED ENDS TEMPLES  
ADJUSTABLE TEMPLES  
EN 166  
240/BOX



**Ref. : 230**

SAFETY GLASSES, ANTI SCRACH  
HIGH-IMPACT POLYCARBONATE  
CLEAR, GREY  
PADDED ENDS TEMPLES  
ADJUSTABLE TEMPLES  
EN 166 – EN 170  
240/BOX





**Ref. : 250**

*SAFETY GLASSES, ANTI FOG  
HIGH-IMPACT POLYCARBONATE  
CLEAR  
ADJUSTABLE STRAP  
EN 166  
120/BOX*



**Ref. : 260**

*SAFETY GLASSES, ANTI FOG  
HIGH-IMPACT POLYCARBONATE  
CLEAR  
ADJUSTABLE STRAP  
EN 166  
120/BOX*





**Ref. : 265**

SAFETY GLASSES, ANTI FOG  
HIGH-IMPACT POLYCARBONATE  
CLEAR  
ADJUSTABLE STRAP  
EN 166  
120/BOX



**Ref. : 266**

SAFETY GLASSES, ANTI FOG  
HIGH-IMPACT POLYCARBONATE  
CLEAR  
ADJUSTABLE STRAP  
EN 166  
120/BOX



**Ref. : 269**

**Ref. : 270**



*CLEAR VISOR-CYLINDRICAL  
LENS SIZE: 15.5" X 8" X 0.06"  
MATERIAL: PC-CLEAR,  
UNCOATED  
BLACK HEADGEAR  
12/BOX*

**Ref. : 271**



*CLEAR VISOR-CYLINDRICAL  
MATERIAL: PC-CLEAR  
UNCOATED  
BLACK HEADGEAR  
12/BOX*

**Ref. : 272**



*GREEN VISOR-CYLINDRICAL  
MATERIAL: PC-GREEN  
UNCOATED - SHADE 3  
BLACK HEADGEAR  
12/BOX*





**Ref. : 290**

**SOLAR CELLS**

**REPLACEABLE 1\*CR2032 LITHIUM BATTERY**

**POWER ON/OFF: AUTOMATIC**

**Ref. : 295**



**VIEWING SIZE: 93X43MM**

**LENS SIZE: 110X90X9MM**

**ARC SENSOR: 2**

**ADJUSTABLE SHADE: 9-13**

**SENSITIVITY: ADJUSTABLE**

**LOW VOLUME ALARM: YES**

**ADF SELF CHECK: YES**

**GRINDING: YES**

**20/BOX**

**VIEWING SIZE: 90X35MM**

**LENS SIZE: 110X90X9MM**

**ARC SENSOR: 2**

**ADJUSTABLE SHADE: 9-13**

**SENSITIVITY: ADJUSTABLE**

**LOW VOLUME ALARM: NO**

**ADF SELF CHECK: NO**

**GRINDING: YES**

**20/BOX**

## Ear protection

- Ear protection helps prevent hearing loss caused by prolonged exposure to loud noises.
- It reduces the risk of tinnitus and other permanent hearing damage.
- Wearing earplugs or earmuffs improves focus and comfort in noisy environments.
- Hearing protection ensures compliance with occupational health and safety regulations.





## Ref. : 400

FOLDED AND PADDED HEADBAND  
 STAINLESS STEEL WIRE FOR EASY FIT ADJUSTMENT  
 DOUBLE-SHELL DESIGN GUARANTEE HIGH NOISE REDUCTION RATING  
 PROFESSIONAL EARMUFF FOR DURABILITY AND RELIABILITY  
 SUITABLE FOR LOUD MACHINERY, ENGINES INDUSTRIAL MACHINES,  
 POWER TOOLS, ETC

CUPS : ABS, HEADBAND: STEEL AND PLASTIC; CUSHION: PU WITH  
 FOAM INSIDE  
 CAT III  
 SNR: 33 DB

20/BOX

Test frequencies (Hz)	125	250	500	1000	2000	4000	8000
Mean attenuation(dB)	15.5	25.7	33.0	39.8	36.1	39.5	35.7
Standard Deviation(dB)	1.6	2.2	2.8	3.3	2.4	3.4	2.2
Mean-minus-Std. dev.dB/APV	13.9	23.5	30.2	36.5	33.8	36.1	33.4
<b>SNR= 33dB</b>	<b>H= 35 dB</b>		<b>M= 32 dB</b>		<b>L= 23 dB</b>		
SNR <sub>m</sub> = 34.5dB	H <sub>m</sub> = 37.4dB		M <sub>m</sub> = 33.2dB		L <sub>m</sub> = 24.2dB		
SNR <sub>s</sub> = 1.6dB	H <sub>s</sub> = 2.0dB		M <sub>s</sub> = 1.7dB		L <sub>s</sub> = 1.5dB		

EN 352-1:2020 **SNR:33dB**





**Ref. : 405**

Frequency [Hz]	125	250	500	1000	2000	4000	8000
Sound attenuation Mf [dB]	16.7	16.8	25.5	36.4	35.1	40.3	38.4
Standard deviation Sf [dB]	2.3	1.8	2.7	3.0	2.9	2.9	3.2
APV Mf-Sf [dB]	14.4	15.0	22.8	33.5	32.2	37.4	35.2

<b>SNR= 29dB</b>	<b>H=34dB</b>	<b>M=26dB</b>	<b>L= 19dB</b>
SNR <sub>m</sub> =30.2dB	H <sub>m</sub> =36.6dB	M <sub>m</sub> =27.6dB	L <sub>m</sub> =20.3dB
SNR <sub>s</sub> =1.6dB	H <sub>s</sub> =2.2dB	M <sub>s</sub> =1.6dB	L <sub>s</sub> =1.6dB

*FOLDED AND PADDED HEADBAND  
 STAINLESS STEEL WIRE FOR EASY FIT ADJUSTMENT  
 DOUBLE-SHELL DESIGN GUARANTEE HIGH NOISE REDUCTION RATING  
 PROFESSIONAL EARMUFF FOR DURABILITY AND RELIABILITY  
 SUITABLE FOR LOUD MACHINERY, ENGINES INDUSTRIAL MACHINES,  
 POWER TOOLS, ETC  
 CAT III  
 SNR: 29 DB*

**20/BOX**

EN 352-1:2020  
**SNR 29dB**





**Ref. : 405**

Frequency [Hz]	125	250	500	1000	2000	4000	8000
Sound attenuation Mf [dB]	16.7	16.8	25.5	36.4	35.1	40.3	38.4
Standard deviation Sf [dB]	2.3	1.8	2.7	3.0	2.9	2.9	3.2
APV Mf-Sf [dB]	14.4	15.0	22.8	33.5	32.2	37.4	35.2

<b>SNR= 29dB</b>	<b>H=34dB</b>	<b>M=26dB</b>	<b>L= 19dB</b>
SNR <sub>m</sub> =30.2dB	H <sub>m</sub> =36.6dB	M <sub>m</sub> =27.6dB	L <sub>m</sub> =20.3dB
SNR <sub>s</sub> =1.6dB	H <sub>s</sub> =2.2dB	M <sub>s</sub> =1.6dB	L <sub>s</sub> =1.6dB

*FOLDED AND PADDED HEADBAND  
 STAINLESS STEEL WIRE FOR EASY FIT ADJUSTMENT  
 DOUBLE-SHELL DESIGN GUARANTEE HIGH NOISE REDUCTION RATING  
 PROFESSIONAL EARMUFF FOR DURABILITY AND RELIABILITY  
 SUITABLE FOR LOUD MACHINERY, ENGINES INDUSTRIAL MACHINES,  
 POWER TOOLS, ETC  
 CAT III  
 SNR: 29 DB*

EN 352-1:2020  
**SNR 29dB**

**20/BOX**





**Ref. : 410**

Frequency [Hz]	125	250	500	1000	2000	4000	8000
Sound attenuation Mf [dB]	14.8	21.4	28.6	26.3	34.7	39.8	39.9
Standard deviation Sf [dB]	2.5	3.1	2.9	2.2	2.5	2.9	3.9
APV Mf-Sf [dB]	12.3	18.3	25.7	24.1	32.2	36.9	36.0

<b>SNR=29dB</b>	<b>H=32dB</b>	<b>M=26dB</b>	<b>L= 20dB</b>
SNR <sub>m</sub> =30.2dB	H <sub>m</sub> =33.6dB	M <sub>m</sub> =27.2dB	L <sub>m</sub> =22.1dB
SNR <sub>s</sub> =1.5dB	H <sub>s</sub> =1.9dB	M <sub>s</sub> =1.6dB	L <sub>s</sub> =2.1dB

*PLASTIC PROTECTOR*

*BLACK CUP WITH ORANGE MIDDLE LAYER*

*BLACK HEADBAND.*

*BLACK CUSHION.*

*CAT III*

*SNR: 29 DB*

**20/BOX**

EN 352-3:2020  
**SNR 29dB**





**Ref. : 411**

EN 352-2:2020  
**SNR 38dB**

EN 352-2:2020  
**SNR 32dB**

**PU FOAM EARPLUGS  
UNCORDED DISPOSABLE**

**SNR38DB**

**2000/BOX**



**Ref. : 412**

**PU FOAM EARPLUGS  
PVC CORDED DISPOSABLE**

**SNR38DB**

**1000/BOX**

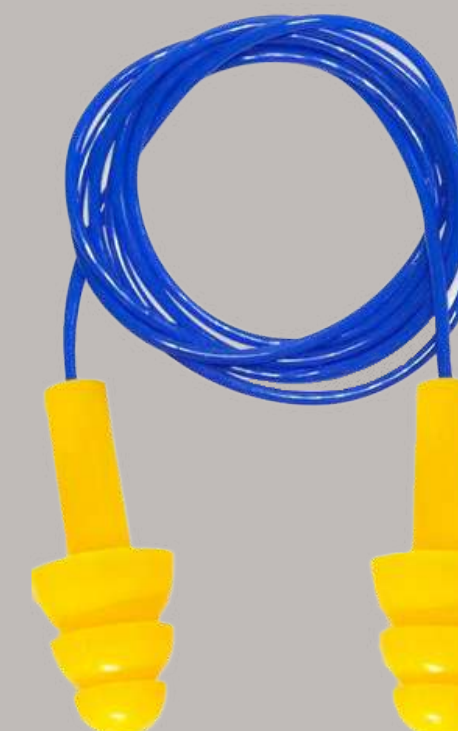


**Ref. : 413**

**SILICONE EARPLUGS  
REUSABLE UNCORDED**

**SNR32DB**

**2000/BOX**



**Ref. : 414**

**SILICONE EARPLUGS  
PVC CORDED REUSABLE**

**SNR38DB**

**1000/BOX**



## Emergency showers and eye wash

- **EMERGENCY SHOWERS AND EYE WASH STATIONS ARE ESSENTIAL SAFETY DEVICES DESIGNED TO PROVIDE IMMEDIATE DECONTAMINATION IN THE EVENT OF EXPOSURE TO HAZARDOUS CHEMICALS OR SUBSTANCES.**
- **THEY DELIVER A RAPID AND EFFECTIVE FLOW OF WATER TO FLUSH THE SKIN, EYES, OR BODY, REDUCING THE RISK OF INJURY AND CONTAMINATION.**
- **CONSTRUCTED FROM DURABLE, CORROSION-RESISTANT MATERIALS, THEY ARE SUITABLE FOR DEMANDING INDUSTRIAL AND LABORATORY ENVIRONMENTS.**
- **THESE SAFETY UNITS COMPLY WITH INTERNATIONAL STANDARDS, ENSURING RELIABLE PERFORMANCE IN CRITICAL EMERGENCY SITUATIONS.**



Ref. : 900



Combo eye wash with  
emergency shower,  
all stainless steel  
with pedal.  
S.S 304  
Water flow:  
shower:  $\geq 75,7$  L  
eye wash:  $\geq 11,4$  L  
Work pressure: 0,2 - 0,4

1/BOX

Eye wash  
all stainless steel  
with pedal.  
S.S 304  
Water flow:  $\geq 11,4$  L  
Work pressure: 0,2 - 0,4

1/BOX



Ref. : 905



RATED CAPACITY: 53 L  
FLOW RATE: 2L/MIN  
FUNCTIONAL CAPACITY: 38 L  
DURATION: >15 M  
AMBIENT OPERATING TEMPERATURE: 5° C - 35° C

1/BOX



Ref. : 910

Ref. : 915



RATED CAPACITY: 34 L  
FLOW RATE: 1,80 L/MIN  
FUNCTIONAL CAPACITY: 28 L  
DURATION: >15 M  
AMBIENT OPERATING TEMPERATURE: 5° C - 35° C

1/BOX



# GARMENTS

## WELDING GARMENTS

- **DESIGNED TO PROVIDE MAXIMUM PROTECTION AGAINST SPARKS, HEAT, AND MOLTEN METAL SPLASHES DURING WELDING AND RELATED INDUSTRIAL TASKS.**
- **MADE FROM DURABLE FLAME-RETARDANT MATERIALS, THEY ENSURE BOTH SAFETY AND COMFORT IN DEMANDING WORK ENVIRONMENTS.**

## RAIN GARMENTS

- **OFFER RELIABLE WATERPROOF PROTECTION, KEEPING WORKERS DRY AND COMFORTABLE IN WET AND HARSH WEATHER CONDITIONS.**
- **CONSTRUCTED FROM LIGHTWEIGHT, FLEXIBLE, AND DURABLE FABRICS, THEY COMBINE PRACTICALITY WITH LONG-LASTING PERFORMANCE FOR OUTDOOR USE.**





**Ref. : 500**



**NAVY BLUE RAIN SUIT, TWO PIECES**  
**LONG JACKET WITH HIDDEN HOOD AND ZIPPER**  
**TWO HIDDEN WAIST POCKETS**  
**ELASTIC WAIST PAINT**  
**25% POLYESTER – 75% PVC**  
**SIZE: L – XL – XXL – XXXL**  
**THICKNESS: 0,18MM**  
**WEIGHT: 0.9 KG/SET**

**20/BOX**



**Ref. : 510**

**YELLOW RAIN COAT, ONE PIECE**  
**LONG JACKET WITH HIDDEN HOOD AND ZIPPER**  
**RAGLAN SLEEVES WITH WIND CUFF;**  
**PATCH POCKETS WITH FLAP IN THE FRONT;**  
**VENTED CAPE BACK AND UNDERARM VENTS;**  
**ATTACHED HOOD WITH DRAWSTRING CLOSURE;**  
**THICKNESS: 0,26 MM**  
**WEIGHT: 0,800 G**  
**SIZE: XL - XXL**

**20/BOX**





**Ref. : 511**



**Ref. : 512**



**Ref. : 513**



**Ref. : 110**

**MANUFACTURED OF:  
CHROME-TANNED COWHIDE LEATHER (COWHIDE SPLIT)**

**APRON: 60 X 90 CM**

**SLEEVES:**

**LEGGING: 30 CM**

**50/BOX**



# LOCK OUT / TAG OUT LOTO

- Lockout Tagout ensures machines are properly shut off and cannot be restarted during maintenance.
- It protects workers from unexpected energy release or accidental machine startup.
- LOTO procedures reduce the risk of serious injuries and fatalities in the workplace.
- Implementing Lockout Tagout guarantees compliance with safety regulations and industry standards.





LO 1

38MM\*6MM STEEL SHACKLE PADLOCK, D TYPE, ZINC ALLOY CYLINDER, 1 KEY

38MM\*6MM PLASTIC SHACKLE PADLOCK, D TYPE, ZINC ALLOY CYLINDER, 1 KEY

LO 2



LO 3

76MM\*6MM STEEL SHACKLE PADLOCK, D TYPE, ZINC ALLOY CYLINDER, 1 KEY

CABLE PADLOCK, D TYPE, ZINC ALLOY CYLINDER, 1 KEY

LO 4



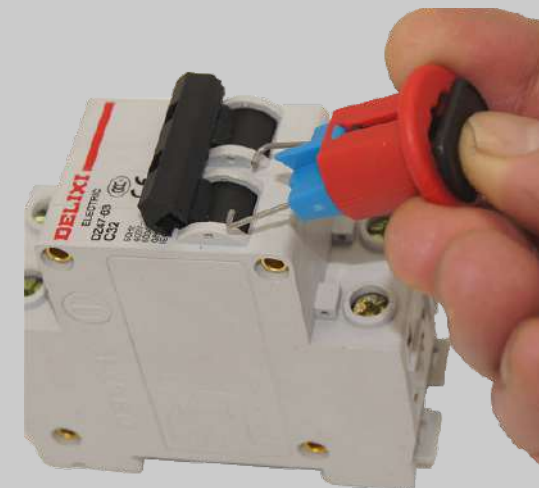
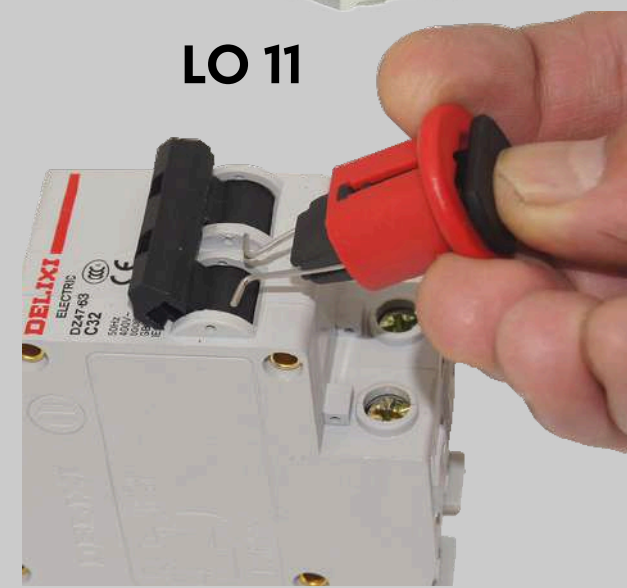
**CIRCUIT BREAKER LOCKOUT**



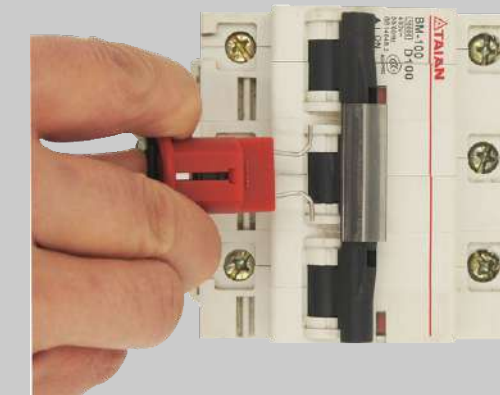
**LO 10**



**LO 11**



**LO 12**



**LO 13**





LO 14

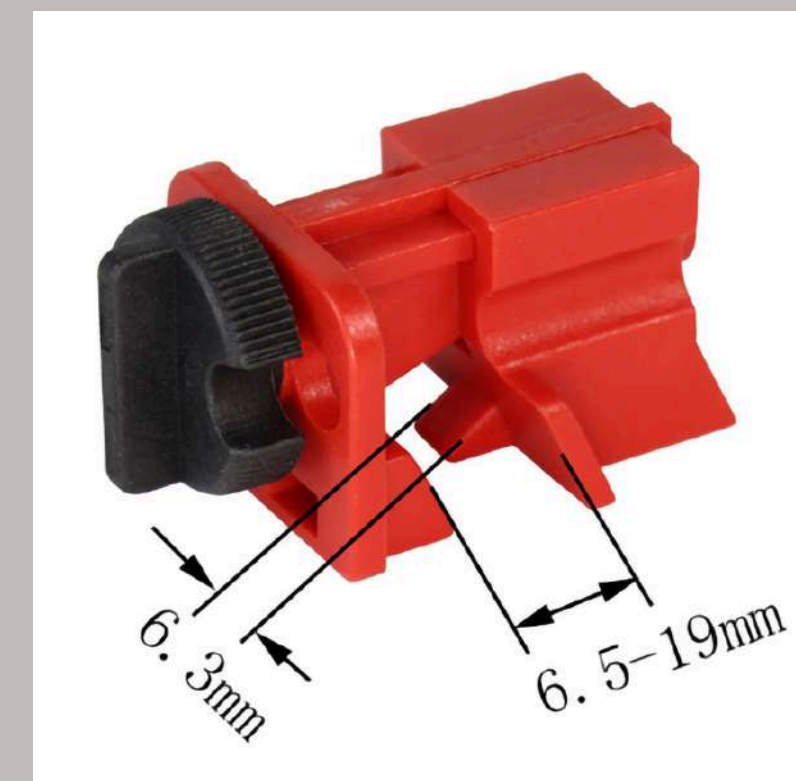


LO 15

## CIRCUIT BREAKER LOCKOUT



LO 16

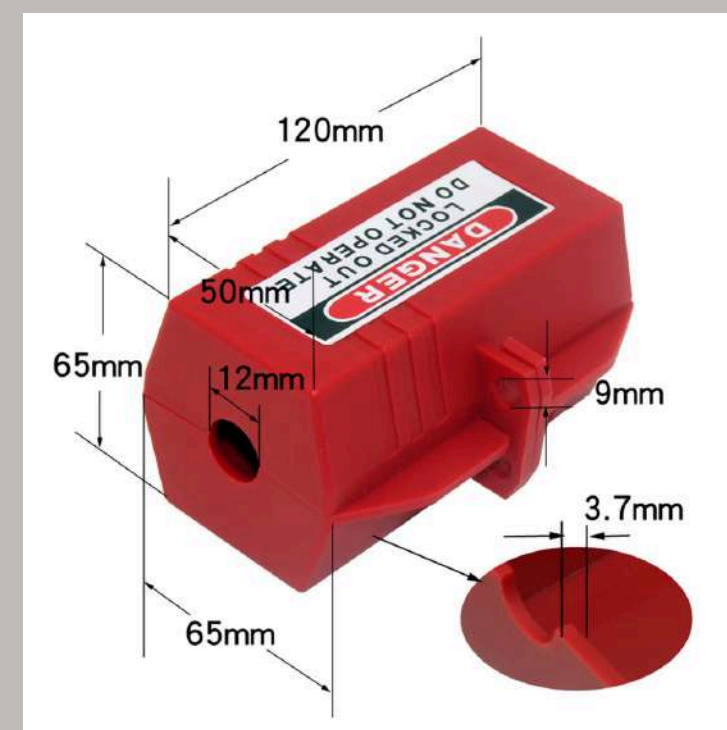


LO 17

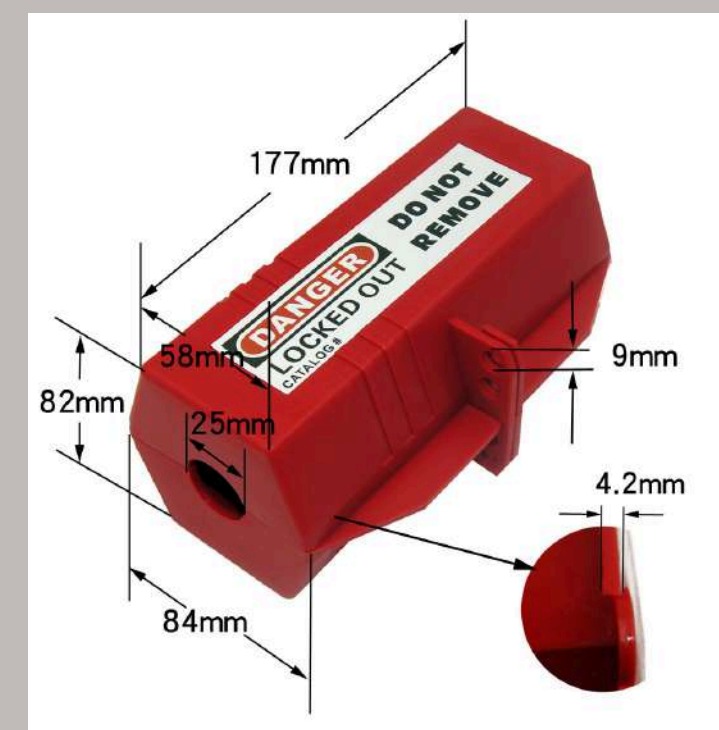
## PLUG LOGOUT, SMALL, MEDIUM & LARGE



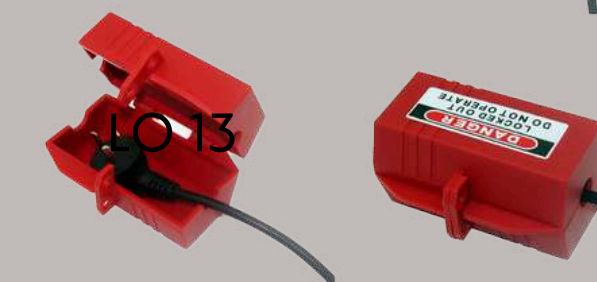
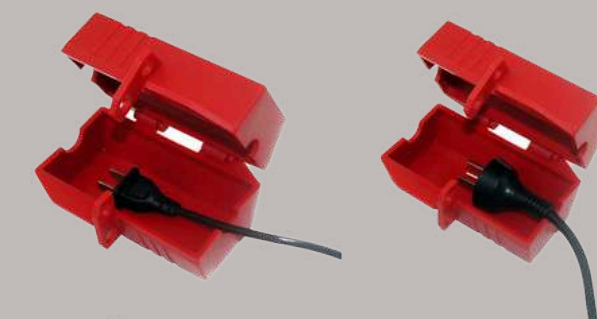
LO 20



LO 21



LO 22





LO 30

## Ball Valve Lockout



LO 31

## Butterfly Valve Lockout



LO 32

## Gate Valve Lockout





LO 33

Adjustable Cable Lockout  
Dia. 4mm , length 1.8m



LO 33

Gate Valve Lockout



LO 35

Emergency Stop Lockout

**STEEL**



LO 41



LO 40

**LOCKOUT HASP**

**NYLON**



LO 42

LO 43





LO 45

## PVC TAG

LO 50

## PORTABLE METAL LOCKOUT BOX



**LO 55**

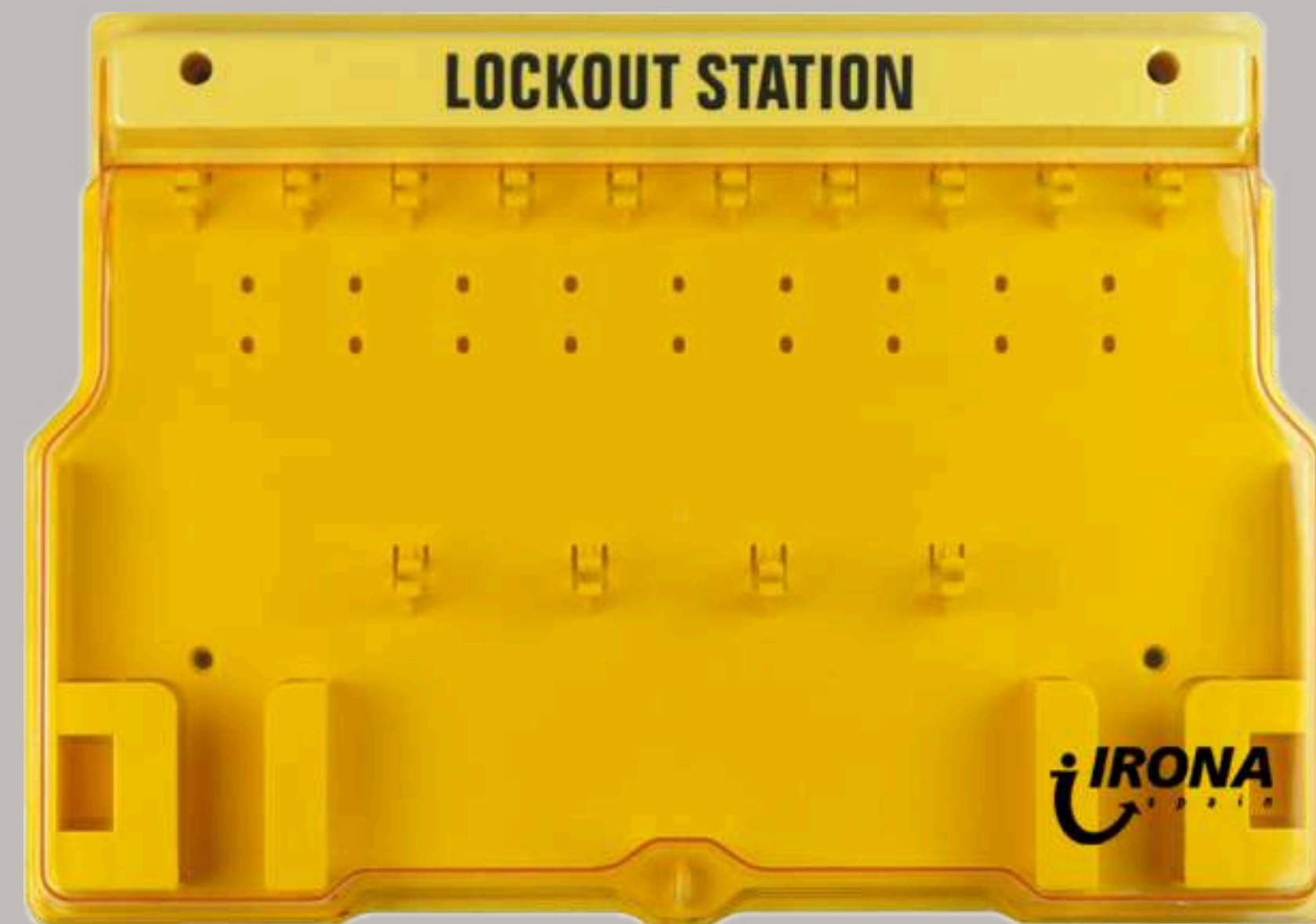
**406X315**

**LO 60**

**558X393**



LOCKOUT STATION



LO 70

**Electrical & Valve Lockout Kit**

LO 65





## PACKAGING





**Module B EU Type-Examination Certificate**  
For the requirements of Personal Protective Equipment Regulation (EU) 2016/425  
Certificate No.: CE-PM-250617-016-02-9A

**Certificate holder:** IRONA INDUSTRIES, SLU  
ERMITA, 14 ST. IVARS D'URGELL 25260, LLEIDA, SPAIN

**Product:** Full face mask  
The listed models are Category III PPE  
Detailed product description listed in the Annex

**Model(s):** 450

**Standard(s):** EN 136:1998 Respiratory protective devices - Full face masks - Requirements, testing, marking

**Issue date:** 2025-07-15  
**Revision date:** 2025-07-15  
**Expiry date:** 2026-11-20

The product(s) on this certificate and the Technical File have been assessed and found to be in conformance with the applicable Essential Health and Safety Requirements in Annex II of the Personal Protective Equipment Regulation (EU) 2016/425.  
Any changes to the design, manufacturing location or manufacture of the PPE product certified here must be advised to CCQS Certification Services Limited for review.  
CE marking shall not be applied until the requirements of all the Personal Protective Equipment Regulation (EU) 2016/425 and relevant EN Harmonised standards and/or Technical specifications have been met.  
If the certified product is Category III then this certificate is only valid if used in conjunction with Conformity Assessment against Module C2 or Module D.  
This certificate remains the property of CCQS and may be withdrawn at any time if it is considered that the equipment is no longer in conformity with the requirements of the Personal Protective Equipment Regulation (EU) 2016/425.

Approved by Ireland Government as a Notified Body for CE Marking No.2834  
 Approved by G White - Technical Manager

**CCQS Certification Services Limited**  
Block 1 Blanchardstown Corporate Park, Ballycoolin Road, Blanchardstown, Dublin15, D15 AKK1, Ireland  
Tel: +00 353 1 588 6920 Website: www.ccqs.co.uk E-mail: verify@ccqs.ie  
If in any doubt about the integrity of this certificate, please contact CCQS by email to verify.

Page 1 of 2  
(Rev 2024/17, Rev. 31.10.22)

**Module B EU Type-Examination Certificate**  
For the requirements of Personal Protective Equipment Regulation (EU) 2016/425  
Certificate No.: CE-PM-250617-016-01-9A

**Certificate holder:** IRONA INDUSTRIES, SLU  
ERMITA, 14 ST. IVARS D'URGELL 25260, LLEIDA, SPAIN

**Product:** Half mask  
The listed models are Category III PPE  
Detailed product description listed in the Annex

**Model(s):** 475

**Standard(s):** EN 140:1998 Respiratory protective devices - Half masks and quarter masks - Requirements, testing, marking

**Issue date:** 2025-07-15  
**Revision date:** 2025-07-15  
**Expiry date:** 2026-08-02

The product(s) on this certificate and the Technical File have been assessed and found to be in conformance with the applicable Essential Health and Safety Requirements in Annex II of the Personal Protective Equipment Regulation (EU) 2016/425.  
Any changes to the design, manufacturing location or manufacture of the PPE product certified here must be advised to CCQS Certification Services Limited for review.  
CE marking shall not be applied until the requirements of all the Personal Protective Equipment Regulation (EU) 2016/425 and relevant EN Harmonised standards and/or Technical specifications have been met.  
If the certified product is Category III then this certificate is only valid if used in conjunction with Conformity Assessment against Module C2 or Module D.  
This certificate remains the property of CCQS and may be withdrawn at any time if it is considered that the equipment is no longer in conformity with the requirements of the Personal Protective Equipment Regulation (EU) 2016/425.

Approved by Ireland Government as a Notified Body for CE Marking No.2834  
 Approved by G White - Technical Manager

**CCQS Certification Services Limited**  
Block 1 Blanchardstown Corporate Park, Ballycoolin Road, Blanchardstown, Dublin15, D15 AKK1, Ireland  
Tel: +00 353 1 588 6920 Website: www.ccqs.co.uk E-mail: verify@ccqs.ie  
If in any doubt about the integrity of this certificate, please contact CCQS by email to verify.

Page 1 of 2  
(Rev 2024/17, Rev. 31.10.22)

**bsi.**  
EU Type Examination Certificate

This is to certify that: IRONA INDUSTRIES SLU  
Ermita St, 14  
Ivars d'urgell  
Lleida  
25260  
Spain

Holds Certificate Number: CE 758914

In respect of:  
**Filtering Face Mask to EN 149:2001+A1:2009 Model REF.420**

on the basis that BSI carried out the relevant Type Examination procedures under the requirements with the Regulation (EU) 2016/425 of the European Parliament and Council relating to Personal Protective Equipment Regulation (PPE) Annex V (Module B) and meets the relevant health and safety requirements specified in Annex II

For and on behalf of BSI, a Notified Body for the above Regulation (Notified Body Number 2797):  
  
Drs. Dave Hagenmaers, Managing Director

First Issued: 2022-02-15 Effective Date: 2022-02-15  
Latest Issue: 2022-02-15 Expiry Date: 2027-02-15

Page 1 of 2

...making excellence a habit.

This certificate has been issued by and remains the property of BSI Group The Netherlands B.V., John M. Keynesplein 9, 3906 EP Amsterdam, The Netherlands and should be returned immediately upon request. An electronic certificate can be authenticated [online](#).  
BSI Group The Netherlands B.V. registered in the Netherlands under number 33044204, at John M. Keynesplein 9, 3906 EP Amsterdam, The Netherlands. A member of BSI Group of Companies.

**Module B EU Type-Examination Certificate**  
For the requirements of Personal Protective Equipment Regulation (EU) 2016/425  
Certificate No.: CE-PM-250617-016-05-9A

**Certificate holder:** IRONA INDUSTRIES, SLU  
ERMITA, 14 ST. IVARS D'URGELL 25260, LLEIDA, SPAIN

**Product:** Combined filter  
The listed models are Category III PPE  
Detailed product description listed in the Annex

**Model(s):** 455

**Standard(s):** EN 14387:2021 Respiratory protective devices - Gas filter(s) and combined filter(s) - Requirements, testing, marking

**Issue date:** 2025-07-15  
**Revision date:** 2025-07-15  
**Expiry date:** 2026-11-20

The product(s) on this certificate and the Technical File have been assessed and found to be in conformance with the applicable Essential Health and Safety Requirements in Annex II of the Personal Protective Equipment Regulation (EU) 2016/425.  
Any changes to the design, manufacturing location or manufacture of the PPE product certified here must be advised to CCQS Certification Services Limited for review.  
CE marking shall not be applied until the requirements of all the Personal Protective Equipment Regulation (EU) 2016/425 and relevant EN Harmonised standards and/or Technical specifications have been met.  
If the certified product is Category III then this certificate is only valid if used in conjunction with Conformity Assessment against Module C2 or Module D.  
This certificate remains the property of CCQS and may be withdrawn at any time if it is considered that the equipment is no longer in conformity with the requirements of the Personal Protective Equipment Regulation (EU) 2016/425.

Approved by Ireland Government as a Notified Body for CE Marking No.2834  
 Approved by G White - Technical Manager

**CCQS Certification Services Limited**  
Block 1 Blanchardstown Corporate Park, Ballycoolin Road, Blanchardstown, Dublin15, D15 AKK1, Ireland  
Tel: +00 353 1 588 6920 Website: www.ccqs.co.uk E-mail: verify@ccqs.ie  
If in any doubt about the integrity of this certificate, please contact CCQS by email to verify.

Page 1 of 2  
(Rev 2024/17, Rev. 31.10.22)

**Module B EU Type-Examination Certificate Annex**  
For the requirements of Personal Protective Equipment Regulation (EU) 2016/425  
Certificate No.: CE-PM-250617-016-04-9A

**Applicable standards and specification**  
EN 14387:2004+A1:2008 Respiratory protective devices - Gas filter(s) and combined filter(s) - Requirements, testing, marking

Model reference	Product description
483	Combined filter Filter marking: A1B1E1K1 P3 R D For use with IRONA's masks only Referenced test report No.: 2022(D)-0142, 2021(W)-021

Certificate Revision	Revision date	Revision details
A	2025-07-15	Initial issue

This schedule has no validity without the accompanying certificate.  
This schedule and the accompanying certificate remain the property of CCQS and may be withdrawn or revised at any time if CCQS considers that the equipment is no longer in conformity with the requirements of the applicable standard(s) and the Regulation.

Approved by Ireland Government as a Notified Body for CE Marking No.2834  
 Approved by G White - Technical Manager

**CCQS Certification Services Limited**  
Block 1 Blanchardstown Corporate Park, Ballycoolin Road, Blanchardstown, Dublin15, D15 AKK1, Ireland  
Tel: +00 353 1 588 6920 Website: www.ccqs.co.uk E-mail: verify@ccqs.ie  
If in any doubt about the integrity of this certificate, please contact CCQS by email to verify.

Page 2 of 2  
(Rev 2024/17, Rev. 31.10.22)

**Module B EU Type-Examination Certificate Annex**  
For the requirements of Personal Protective Equipment Regulation (EU) 2016/425  
Certificate No.: CE-PM-250617-016-03-9A

**Applicable standards and specification**  
EN 14387:2004+A1:2008 Respiratory protective devices - Gas filter(s) and combined filter(s) - Requirements, testing, marking

Model reference	Product description
481	Gas filter Filter marking: A1 For use with IRONA's masks only Referenced test report No.: 2020(F)-0646
482	Gas filter Filter marking: A1B1E1K1 For use with IRONA's masks only Referenced test report No.: 2021(W)-021

Certificate Revision	Revision date	Revision details
A	2025-07-15	Initial issue

This schedule has no validity without the accompanying certificate.  
This schedule and the accompanying certificate remain the property of CCQS and may be withdrawn or revised at any time if CCQS considers that the equipment is no longer in conformity with the requirements of the applicable standard(s) and the Regulation.

Approved by Ireland Government as a Notified Body for CE Marking No.2834  
 Approved by G White - Technical Manager

**CCQS Certification Services Limited**  
Block 1 Blanchardstown Corporate Park, Ballycoolin Road, Blanchardstown, Dublin15, D15 AKK1, Ireland  
Tel: +00 353 1 588 6920 Website: www.ccqs.co.uk E-mail: verify@ccqs.ie  
If in any doubt about the integrity of this certificate, please contact CCQS by email to verify.

Page 2 of 2  
(Rev 2024/17, Rev. 31.10.22)

**Module B EU Type-Examination Certificate**  
For the requirements of Personal Protective Equipment Regulation (EU) 2016/425  
Certificate No.: CE-PM-250617-016-06-9A

**Certificate holder:** IRONA INDUSTRIES, SLU  
ERMITA, 14 ST. IVARS D'URGELL 25260, LLEIDA, SPAIN

**Product:** Particle filter  
The listed models are Category III PPE  
Detailed product description listed in the Annex

**Model(s):** 480

**Standard(s):** EN 143:2021 Respiratory protective devices - Particle filters - Requirements, testing, marking

**Issue date:** 2025-07-15  
**Revision date:** 2025-07-15  
**Expiry date:** 2026-07-05

The product(s) on this certificate and the Technical File have been assessed and found to be in conformance with the applicable Essential Health and Safety Requirements in Annex II of the Personal Protective Equipment Regulation (EU) 2016/425.  
Any changes to the design, manufacturing location or manufacture of the PPE product certified here must be advised to CCQS Certification Services Limited for review.  
CE marking shall not be applied until the requirements of all the Personal Protective Equipment Regulation (EU) 2016/425 and relevant EN Harmonised standards and/or Technical specifications have been met.  
If the certified product is Category III then this certificate is only valid if used in conjunction with Conformity Assessment against Module C2 or Module D.  
This certificate remains the property of CCQS and may be withdrawn at any time if it is considered that the equipment is no longer in conformity with the requirements of the Personal Protective Equipment Regulation (EU) 2016/425.

Approved by Ireland Government as a Notified Body for CE Marking No.2834  
 Approved by G White - Technical Manager

**CCQS Certification Services Limited**  
Block 1 Blanchardstown Corporate Park, Ballycoolin Road, Blanchardstown, Dublin15, D15 AKK1, Ireland  
Tel: +00 353 1 588 6920 Website: www.ccqs.co.uk E-mail: verify@ccqs.ie  
If in any doubt about the integrity of this certificate, please contact CCQS by email to verify.

Page 1 of 2  
(Rev 2024/17, Rev. 31.10.22)

Protecting Yourself at Work



+34 639382238



www.irona.es  
irona@irona.es



ERMITA ST. 14  
25260 IVARS (LLEIDA) Spain



**SGS**

### EU TYPE-EXAMINATION CERTIFICATE

Regulation (EU) 2016/425, MODULE B  
0598/PPE/25/4308 Issue 1

**Product:** Safety Footwear  
**Model:** Ankle boot, style No. REF 300

**Trademark:** IRONA

**Certificate Holder / Manufacturer:** Irona Industries, S.LU  
C/ Ermita, 14 Ivars D Urgell 25260 Lleida, Spain

**Standard(s):** Product complies with the applicable essential health and safety requirements of Regulation (EU) 2016/425 and standard(s) mentioned below  
**Other Information:** EN ISO 20345:2022 + A1:2024 (Personal protective equipment - Safety Footwear), Class I footwear, with a performance category of 33.

**Validity:** This certificate is valid until 2030-08-26.  
**Date of issue:** 2025-08-26  
**Signature:** SGS Fimko Oy

SGS Fimko Oy is a Notified Body (0988) according to the Personal Protective Equipment Regulation (EU)

Page 1 of 2

The document is issued by the Company under its General Conditions of Sale, available at [www.sgs.com](http://www.sgs.com). The certificate is issued under the responsibility of the Company's technical and administrative departments. The certificate is issued under the responsibility of the Company's technical and administrative departments. The certificate is issued under the responsibility of the Company's technical and administrative departments.

**SGS Fimko Oy**  
Talonkatu 5  
FI-03300 Helsinki, Finland  
+358 9 592 3611 [www.sgs.com](http://www.sgs.com)  
Business ID: 0934247-4

**apave**

### EU TYPE-EXAMINATION CERTIFICATE

Attestation d'examen UE de type  
N° 0082/4051/160/09/25/0322

The following PPE type complies with the applicable essential health and safety requirements  
Le type de l'ÉPI suivant est conforme aux exigences essentielles de santé et de sécurité applicables

**PPE:** PPE category III – Full body harness  
**EPI:** EPI de catégorie III – Harnais d'arçon

**Trademark:** IRONA  
**Marque commerciale:**

**Model:** 515  
**Modèle:**

**Manufacturer:** Irona Industries, S.L.U. - 14 ERMITA st. - 25260 IVARS D'URGELL - LLEIDA - Spain  
**Fabricant:**

**Description:** Polyester full body harness including one back fall arrest attachment point by metallic double bar D-ring. Leg loops and front webbing attachment and adjustment by male/female metallic buckles. One size (detailed description in EU type examination report 25.0816).  
**Description:** Harnais d'arçon en polyester à un point d'ancrage arête dorsale par œil métallique double barre. Formations et réglage des boucles de ceinture et de la hanche par boucles métalliques mâle/femelle. Taille unique (description détaillée dans le rapport d'examen UE de type 25.0816).

**Technical reference:** EN 361:2002  
**Référence technique:**

**Date of signature (day/month/year):** 07/10/2025  
**Date de signature (jour/mois/année):** 07/10/2025  
**Date of issue (day/month/year):** 07/10/2025  
**Date de délivrance (jour/mois/année):** 07/10/2025  
**Date of expiry (day/month/year):** 07/10/2030  
**Date d'expiration (jour/mois/année):** 07/10/2030

**PPE Certification Manager / Le Responsable de la Certification EPI:** Immaterial original

**Headquarter (siège social):** Apave SA - 6 rue du Général Audin 92412 COURBEVOIE Cedex - France, RCS Nanterre 527 573 141

**apave**

### EU TYPE-EXAMINATION CERTIFICATE

Attestation d'examen UE de type  
N° 0082/4051/160/09/25/0323

The following PPE type complies with the applicable essential health and safety requirements  
Le type de l'ÉPI suivant est conforme aux exigences essentielles de santé et de sécurité applicables

**PPE:** PPE category III – Energy Absorbers  
**EPI:** EPI de catégorie III – Absorbent d'énergie

**Trademark:** IRONA  
**Marque commerciale:**

**Model:** 530  
**Modèle:**

**Manufacturer:** Irona Industries, S.L.U. - 14 ERMITA st. - 25260 IVARS D'URGELL - LLEIDA - Spain  
**Fabricant:**

**Description:** Energy absorber with polyester tear webbing of width 45mm, protected by bag with a pocket zipper, integrating a double lead lanyard in polyamide and polyester rope, diameter 11mm. On one side, a sewn loop with a removable complying with EN 362 standard. On the other side, a sewn loop including the double lanyard. On each lanyard ends, a sewn thimble loop integrating an irremovable connector of reference HT-103, complying with EN 362 standard. Available lengths from 1,5m to 2m. Not for horizontal use over an edge (detailed description in EU type examination report 25.0817).  
**Description:** Absorbent d'énergie à simple à débrèvement en polyester de largeur 45 mm protégé par une pochette avec fermeture à glissière. Intégrant deux longueurs indépendantes en corde en polyamide et polyester de diamètre 11 mm. À une extrémité, une boucle cousue avec un connecteur amovible conforme à la norme EN 362. À l'autre extrémité, une boucle cousue incluant la longe double. À chaque extrémité des longes, une boucle cousue intégrant un connecteur irrémovible de référence HT-103, conforme à la norme EN 362. Longueurs disponibles de 1,5 m à 2 m. Usage horizontal sur arête saillante (description détaillée dans le rapport d'examen UE de type 25.0817).

**Technical reference:** EN 355:2002  
**Référence technique:**

**Date of signature (day/month/year):** 30/09/2025  
**Date de signature (jour/mois/année):** 30/09/2025  
**Date of issue (day/month/year):** 30/09/2025  
**Date de délivrance (jour/mois/année):** 30/09/2025  
**Date of expiry (day/month/year):** 30/09/2030  
**Date d'expiration (jour/mois/année):** 30/09/2030

**PPE Certification Manager / Le Responsable de la Certification EPI:** Immaterial original

**Headquarter (siège social):** Apave SA - 6 rue du Général Audin 92412 COURBEVOIE Cedex - France, RCS Nanterre 527 573 141

**EU-TYPE EXAMINATION CERTIFICATE**

Certificate N° 0075/6302/162/08/25/1809

Issued by CTC, Notified Body N°0075, to the following model of personal protective equipment:

**Manufacturer:** IRONA INDUSTRIES, S.L.U.  
C/ ERMITA, 14, IVARS D'URGELL 25260, LLEIDA  
SPAIN

**Description:** protective glove against mechanical risks  
**PPE Type:** protective glove against mechanical risks  
**Product reference:** 130  
**Glove description:** 13G polyester liner with smooth nitrile coating glove  
**Available sizes:** 7/5 8/M 9/L 10/XL 11/XXL 12/XXXL

**Reference standard:** Levels of performance / class of protection  
EN ISO 21420:2020 + A1:2024 compliant  
EN 388:2016 + A1:2018 3 1 2 X

Issued in Lyon by **William GELAS** Certification Manager

Date of first issue: 08 August 2025  
Date of end of validity: 07 August 2030

[www.ctcgroup.com](http://www.ctcgroup.com)

**EU-TYPE EXAMINATION CERTIFICATE**

Certificate N° 0075/6302/162/08/25/1808

Issued by CTC, Notified Body N°0075, to the following model of personal protective equipment:

**Manufacturer:** IRONA INDUSTRIES, S.L.U.  
C/ ERMITA, 14, IVARS D'URGELL 25260, LLEIDA  
SPAIN

**Description:** protective glove against mechanical risks  
**PPE Type:** protective glove against mechanical risks  
**Product reference:** 130  
**Glove description:** 13G polyester liner with PU palm coating  
**Available sizes:** 7/5 8/M 9/L 10/XL 11/XXL 12/XXXL

**Reference standard:** Levels of performance / class of protection  
EN ISO 21420:2020 + A1:2024 compliant  
EN 388:2016 + A1:2018 3 1 1 X

Issued in Lyon by **William GELAS** Certification Manager

Date of first issue: 08 August 2025  
Date of end of validity: 07 August 2030

[www.ctcgroup.com](http://www.ctcgroup.com)

**EU-TYPE EXAMINATION CERTIFICATE**

Certificate N° 0075/6302/162/08/25/1810

Issued by CTC, Notified Body N°0075, to the following model of personal protective equipment:

**Manufacturer:** IRONA INDUSTRIES, S.L.U.  
C/ ERMITA, 14, IVARS D'URGELL 25260, LLEIDA  
SPAIN

**Description:** protective glove against mechanical risks  
**PPE Type:** protective glove against mechanical risks  
**Product reference:** 135  
**Glove description:** 13G UHMWPE/glass fiber liner with PU palm coating  
**Available sizes:** 7/5 8/M 9/L 10/XL 11/XXL 12/XXXL

**Reference standard:** Levels of performance / class of protection  
EN ISO 21420:2020 + A1:2024 compliant  
EN 388:2016 + A1:2018 4 X 4 D

Issued in Lyon by **William GELAS** Certification Manager

Date of first issue: 08 August 2025  
Date of end of validity: 07 August 2030

[www.ctcgroup.com](http://www.ctcgroup.com)

**EU-TYPE EXAMINATION CERTIFICATE**

Certificate N° 0075/6302/162/08/25/1852

Issued by CTC, Notified Body N°0075, to the following model of personal protective equipment:

**Manufacturer:** IRONA INDUSTRIES, S.L.U.  
C/ ERMITA, 14, IVARS D'URGELL 25260, LLEIDA  
SPAIN

**Description:** protective glove against mechanical risks  
**PPE Type:** protective glove against mechanical risks  
**Product reference:** 145  
**Glove description:** 10G polyester liner with latex coating  
**Available sizes:** 7/5 8/M 9/L 10/XL 11/XXL 12/XXXL

**Reference standard:** Levels of performance / class of protection  
EN ISO 21420:2020 + A1:2024 compliant  
EN 388:2016 + A1:2018 2 1 4 2 X

Issued in Lyon by **William GELAS** Certification Manager

Date of first issue: 13 August 2025  
Date of end of validity: 12 August 2030

[www.ctcgroup.com](http://www.ctcgroup.com)

**SGS**

### EU TYPE-EXAMINATION CERTIFICATE

Regulation (EU) 2016/425, MODULE B  
0598/PPE/25/3790 Issue 1

**Product:** Personal eye-protector  
**Model:** Face shield: Visors 270, Headgear: 270

**Trademark:**

**Certificate Holder / Manufacturer:** IRONA INDUSTRIES, S.LU  
ERMITA, 14 - IVARS D'URGELL 25260 - LLEIDA - SPAIN

**Standard(s):** Product complies with the applicable essential health and safety requirements of Regulation (EU) 2016/425 and standard(s) mentioned below  
EN ISO 16321-1:2022 (Eye and face protection for occupational use - Part 1: General requirements) with Enhanced optical performance (1), with field of use: Protection against splashes (3), Protection against molten metals and hot solids (3), with mechanical strength requirements: High-speed impact resistance of helmets of temperature (impact level ET), Protection against high mass impact of helmets of temperature (impact level HT), with filters: Ultra-violet protective filters (U), Ultra-violet protective filters with detection of signal light (UL), Sunglare filters for occupational use (S), Sunglare filters for occupational use with detection of signal light (SL), with Resistance to surface damage due to flying fine particles (P) and Resistance to fogging of lenses or filters (N). Head size: 1-M.

**Validity:** This certificate is valid until 2030-07-02.  
**Date of issue:** 2025-07-02  
**Signature:** SGS Fimko Oy

SGS Fimko Oy is a Notified Body (0988) according to the Personal Protective Equipment Regulation (EU)

Page 1 of 2

The document is issued by the Company under its General Conditions of Sale, available at [www.sgs.com](http://www.sgs.com). The certificate is issued under the responsibility of the Company's technical and administrative departments. The certificate is issued under the responsibility of the Company's technical and administrative departments. The certificate is issued under the responsibility of the Company's technical and administrative departments.

**SGS Fimko Oy**  
Talonkatu 5  
FI-03300 Helsinki, Finland  
+358 9 592 3611 [www.sgs.com](http://www.sgs.com)  
Business ID: 0934247-4

Protecting Yourself at Work



+34 639382238



www.irona.es  
irona@irona.es



ERMITA ST. 14  
25260 IVARS (LLEIDA) Spain



INDUSTRIES



+34 639382238



[www.irona.es](http://www.irona.es)  
[irona@irona.es](mailto:irona@irona.es)



Ermita st. 14  
IVARS 25260 - LLEIDA  
Spain